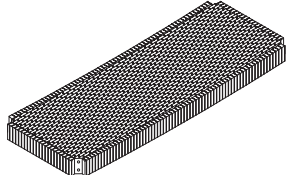
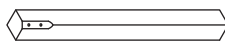








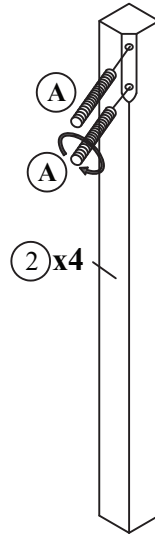
ASSEMBLY INSTRUCTION

ITEM : Oak-Bench

NO.	PARTLIST	QTY
1	 BENCH TOP	1PC
2	 LEG	4PCS
NO.	HARDWARE	QTY
A	 BOLT M6 X 80	8PCS
B	 SPRING WASHER	8PCS
C	 FLAT WASHER	8PCS
D	 NUT	8PCS
E	 WRENCH	1PC
F	 FELT MA	4PCS

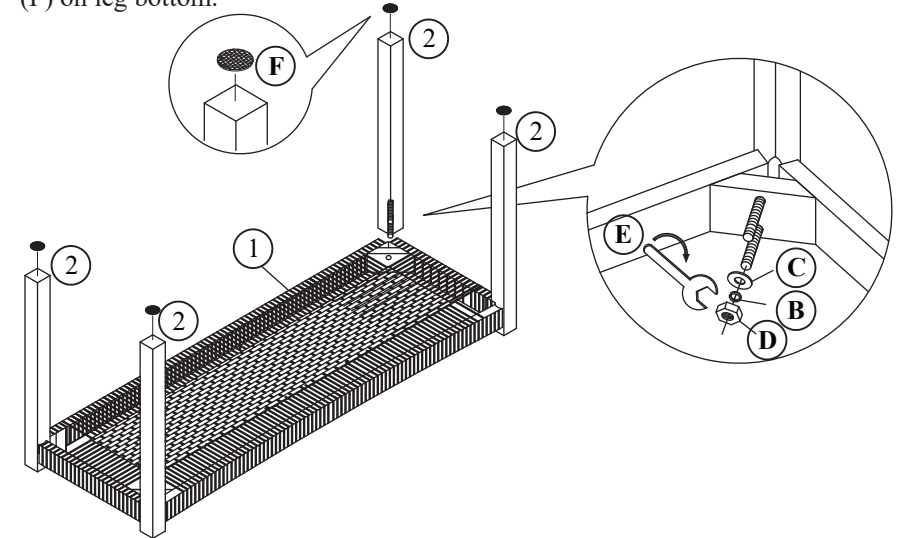
STEP 1

Put bolt (A) into leg (2).

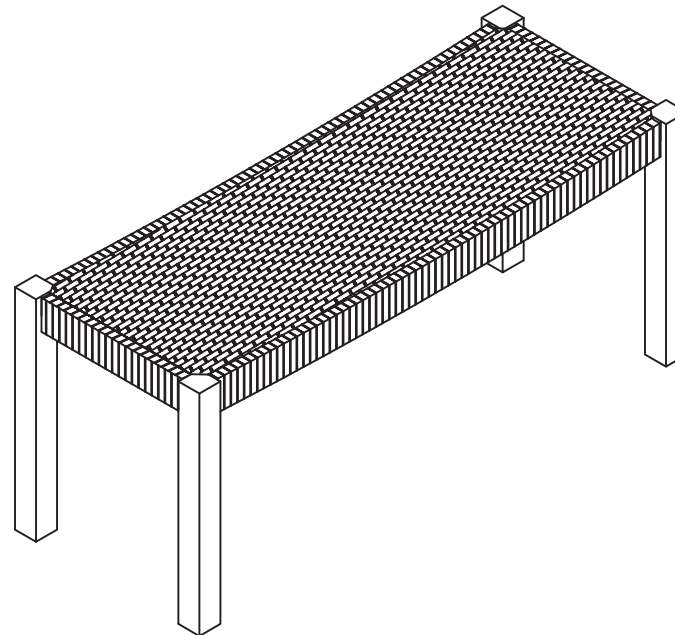


STEP 2

Put seat (1) upside on floor, pay attention to protect it. Fix leg (2) on seat by using flat washer (C), spring washer (B), nut (D) and wrench (E). Add felt pad (F) on leg bottom.



STEP 3



ASSEMBLY COMPLETED

NOTE : AFTER A FEW DAYS OF ASSEMBLY. IT WILL HAVE ACCLIMATIZED TO THE ENVIRONMENT. PLEASE TIGHTEN ALL HARDWARE.CHECK TIGHTNESS OF ALL SCREWS EVERY 6 - 8 WEEKS.